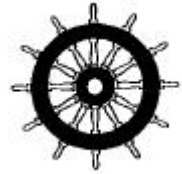


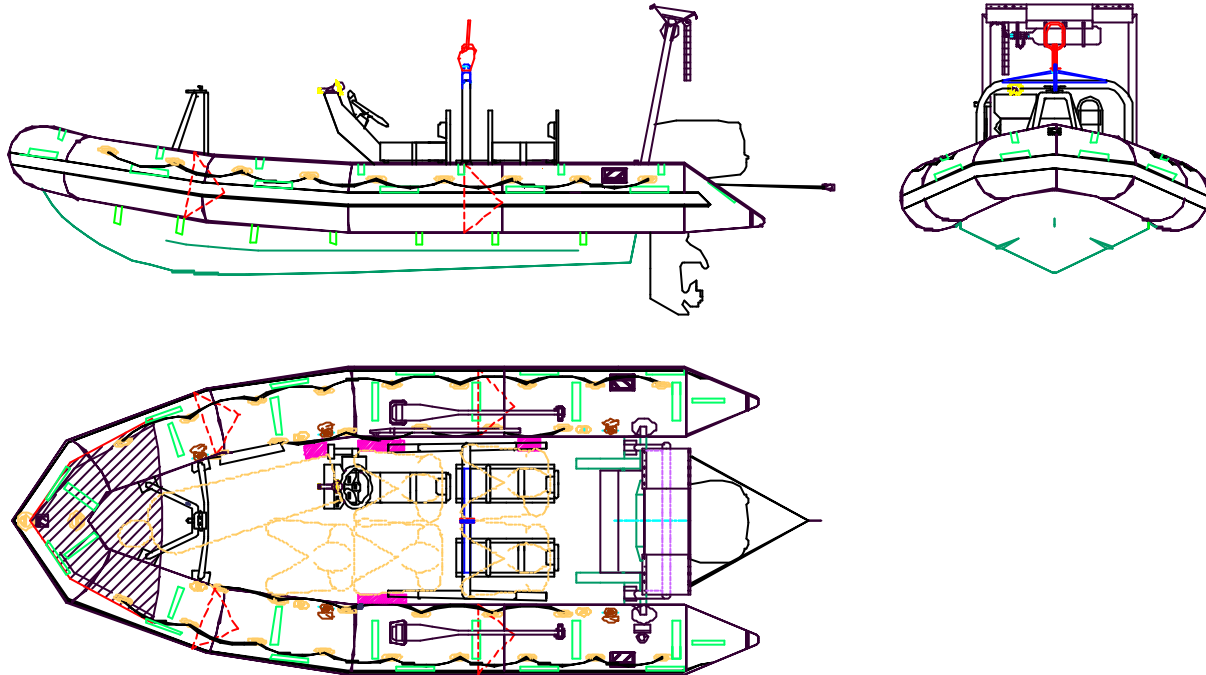


**ZODIAC INTERNATIONAL**  
 2, Rue Maurice Mallet - 92130 ISSY Les MOULINEAUX  
 France  
 Fax : +33.1.41.23.23.98.  
 Phone : +33.1.41.23.23.23  
 E-mail : solassales@zodiac.com



BV-0062

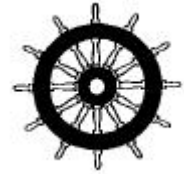
**FRB 600 Frame**



GENERAL CHARACTERISTICS	CARACTERISTIQUES GENERALES
<b>CAPACITY</b>	<b>CAPACITE</b>
. Number of persons	. Nombre de personnes <span style="float: right;">6</span>
. Buoyancy tube volume	. Volume des flotteurs <span style="float: right;">2600 l    92 cft</span>
<b>DIMENSION</b>	<b>DIMENSIONS</b>
. Overall length	. Longueur hors tout <span style="float: right;">6 m    19'08"</span>
. Inside length	. Longueur intérieure <span style="float: right;">4.47 m    14'08"</span>
. Overall width	. Largeur hors tout <span style="float: right;">2.45 m    8'</span>
. Inside width	. Largeur intérieure <span style="float: right;">1.35 m    4'05"</span>
. Buoyancy tube diameter	. Diamètre des flotteurs <span style="float: right;">0.550 m    22"</span>
. Weight with equipment & batteries with no engine and no fuel	. Poids avec équipement et batteries sans moteur et essence <span style="float: right;">700 kg    1543 lb</span>
. Weight with equipment and fuel 120 HP engine	. Poids avec équipement et essence moteur 120 cv <span style="float: right;">995 kg    2194 lb</span>
. Operation weight with 6 persons & 120 HP	. Poids de fonctionnement avec 6 passagers à bord & 120 cv <span style="float: right;">1445 kg    3185 lb</span>



**ZODIAC INTERNATIONAL**  
 2, Rue Maurice Mallet - 92130 ISSY Les MOULINEAUX  
 France  
 Fax : +33.1.41.23.23.98.  
 Phone : +33.1.41.23.23.23  
 E-mail : solassales@zodiac.com



BV-0062

**FRB 600 Frame**

**A utiliser avec croc de largage approuvé de SWL minimum 1500 kg**  
**To be used with an approved release hook SWL 1500 kg at least**

**SAFETY / INFLATION**

- . Airtight compartments
- . Inflation valves
- . Overpressure valves

**SECURITE / GONFLEMENT**

- . Compartiments étanches 5
- . Valves de gonflement 5
- . Valves de surpression 5

**O/B ENGINES**

- . Motor shaft length
- . Engine power

**MOTEURS HORS BORD**

- . Longueur d'arbre long
- . Puissance moteur 70 HP 52 kW  
120 HP 90 kW
- . Réservoirs d'essence, intégrés dans les 2 x 70 l 2 x 18.5 USG  
sièges passagers avec séparateur d'eau
- . Vanne 3 voies de changement de réservoir ou coupure d'alimentation

**ELECTRIC SYSTEM**

- . Batteries (dry, no acid)
- . Battery switch
- . Battery charger with male and female plug

**SYSTEME ELECTRIQUE**

- . Batteries (sèches, sans acide) 2
- . Coupleur / coupe batterie 1
- . Chargeur de batterie avec prise mâle et femelle 1, 48 VAC

**STANDARD EQUIPMENT**

**FABRIC**

- . Colour
- . Buoyancy tube
- . Reflective taps

**EQUIPEMENT STANDARD**

**TISSU**

- . Couleur Orange
- . Flotteur principal 1880 dtx, Hyp/Neo
- . Bandes réfléchissantes On tube and hull

**FIBBER GLASS HULL**

- . Color
- . Hull drain
- . Buoyancy foam

**COQUE EN FIBRES DE VERRE**

- . Couleur Orange
- . Nable 1
- . Mousse de flottabilité in hull

**TRANSOM**

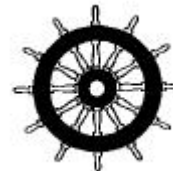
- . Self bailers, large flow
- . Engine transom pad
- . Transom well, aluminum

**TABEAU**

- . Vide-vite gros débit 2
- . Plaque renfort tableau (bois) 1
- . Puits de tableau, aluminium 1



**ZODIAC INTERNATIONAL**  
2, Rue Maurice Mallet - 92130 ISSY Les MOULINEAUX  
France  
Fax : +33.1.41.23.23.98.  
Phone : +33.1.41.23.23.23  
E-mail : solassales@zodiac.com



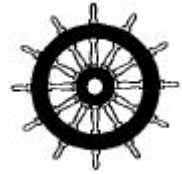
BV-0062

### FRB 600 Frame

REINFORCEMENTS	RENFORTS	
. Peripheric rubbing strake	. Défense Périphérique	1
<b>TOWING</b>	<b>REMORQUAGE</b>	
. Bow towing post, on deck, with on load release shackle	. Poste de remorquage avant sur le pont, mousqueton à ouverture sous charge.	1
. Transom towing points	. Points de remorquage sur tableau	2
. Aft towing V with snap	. V de remorquage arrière et mousqueton	1
<b>HOISTING</b>	<b>LEVAGE</b>	
. Single point lifting frame	. Cadre de levage en un point	1
. Release hook (SWL = 1500 kg)	. Croc de largage (SWL = 1500 kg)	HRH 1.5
<b>HANDLING</b>	<b>POIGNEES</b>	
. Lifeline, exterior, peripheric	. Saisine extérieure périphérique	1
. Lifeline interior	. Saisine intérieure	2
. Paddles supports	. Supports pagaies	2
<b>CONSOLE / SEATING</b>	<b>CONSOLE / SIEGES</b>	
. Steering console, with mechanical steering system	. Console de pilotage avec direction mécanique	1
. Pilot jockey seat	. Siège jockey pilote	1
. Crew jockey seat, with handle	. Siège jockey équipiers, avec poignée	2, single
<b>SELF RIGHTING SYSTEM</b>	<b>SYSTEME DE RETOURNEMENT</b>	
. Self righting frame on transom	. Cadre de retournement sur tableau	1
. Self righting tube	. Ballon de retournement	1
. CO2/N2 fast inflation system	. Système de gonflement rapide CO2/N2	1
<b>FIXED EQUIPMENT</b>	<b>EQUIPEMENT FIXE</b>	
. 50 meter line	. Ligne de 50 mètres	1
. Rescue quoits	. Anneau de sauvetage	2
. Dive ladder	. Echelle de bain	1
. Boat-hook	. Gaffe	1
. Paddles with brackets	. Pagaies avec supports	2
. Sign-posting light	. Feu blanc	1
. Radar reflector	. Réflecteur radar	1
. Removable bow cover	. Capot avant amovible	1



**ZODIAC INTERNATIONAL**  
2, Rue Maurice Mallet - 92130 ISSY Les MOULINEAUX  
France  
Fax : +33.1.41.23.23.98.  
Phone : +33.1.41.23.23.23  
E-mail : solassales@zodiac.com



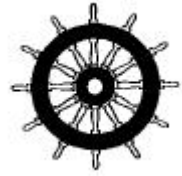
BV-0062

### FRB 600 Frame

OTHER EQUIPMENT	ARMEMENT	
. Compass	. Compas	1
. Whistle	. Sifflet	1
. Bailer / bucket	. Ecope	1
. Foot bellow	. Souffleur à pied	1
. Sponge	. Eponge	2
. Sea anchor with 16 meter line	. Ancre flottante avec ligne 16 m	1
. Electric torch with 2 spare batteries and 1 spare bulb	. Lampe torche avec 4 piles et 1 ampoule en rechange	1
. Search light with spare batteries	. Projecteur de recherche	1
. First aid kit	. Trousse à pharmacie	1
. Floating knife	. Couteau flottant	1
. Thermal protective aid	. Protection thermique	2
. Fire extinguisher 2.5 kg	. Extincteur 2.5 kg	1
. Equipment bag	. Sac armement	1
. Overall cover	. Bâche de protection	1
. Repair kit	. Valise de réparation	
. Manual	. Manuel	1
<b>OPTIONS</b>	<b>OPTIONS</b>	
. Engine Tohatsu M70C EPTOL	. Moteur Tohatsu M70C EPTOL SOLAS	Z5910
. Engine Tohatsu M90A EPTOL	. Moteur Tohatsu M90A EPTOL SOLAS	
. Engine Tohatsu M120A2 EPTOL	. Moteur Tohatsu M120A2 EPTOL SOLAS	Z5907



**ZODIAC INTERNATIONAL**  
2, Rue Maurice Mallet - 92130 ISSY Les MOULINEAUX  
France  
Fax : +33.1.41.23.23.98.  
Phone : +33.1.41.23.23.23  
E-mail : solassales@zodiac.com



BV-0062

### FRB 600 Frame



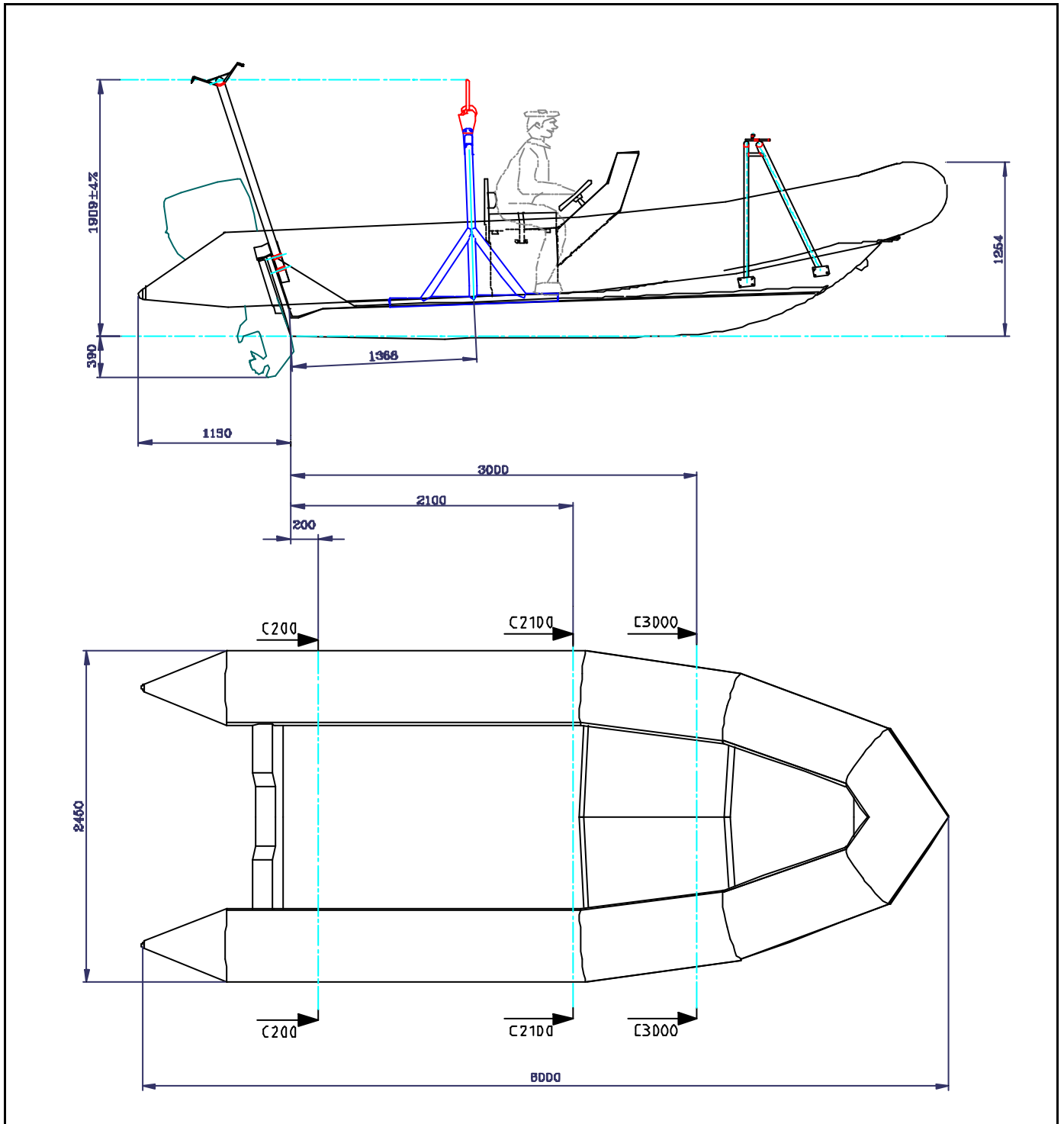


**ZODIAC INTERNATIONAL**  
2, Rue Maurice Mallet - 92130 ISSY Les MOULINEAUX  
France  
Fax : +33.1.41.23.23.98.  
Phone : +33.1.41.23.23.23  
E-mail : solassales@zodiac.com



BV-0062

### FRB 600 Frame





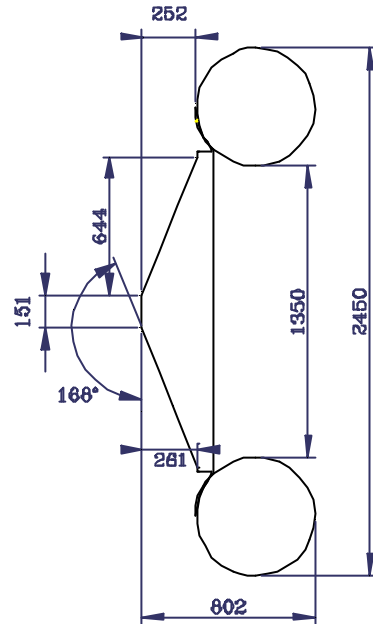
**ZODIAC INTERNATIONAL**  
2, Rue Maurice Mallet - 92130 ISSY Les MOULINEAUX  
France  
Fax : +33.1.41.23.23.98.  
Phone : +33.1.41.23.23.23  
E-mail : solassales@zodiac.com



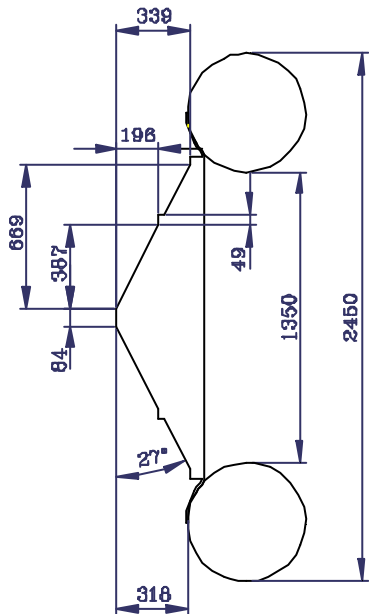
BV-0062

### FRB 600 Frame

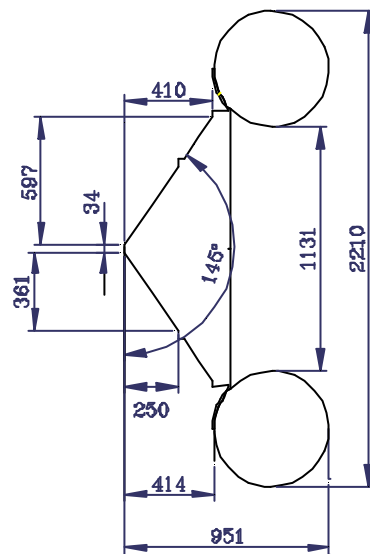
#### COUPE C200 - C200



#### COUPE C2100 - C2100



#### COUPE C3000 - C3000





**ZODIAC INTERNATIONAL**  
 2, Rue Maurice Mallet - 92130 ISSY Les MOULINEAUX  
 France  
 Fax : +33.1.41.23.23.98.  
 Phone : +33.1.41.23.23.23  
 E-mail : solassales@zodiac.com



BV-0062

**FRB 600 Frame**

**HENRIKSEN Hook HRH 1.5**

<b>MATERIALS:</b>		STAINLESS STEEL S15
<b>BOLTS:</b>	HOOK/FRAME:	A4 M12x35
	Max tension moment :	30 Nm
<b>WARRANTY:</b>		2 YEARS
<b>DELIVERY TIME:</b>		FROM STOCK
<b>DOCUMENTATION:</b>		CERTIFICATES, INSTALLATION- AND OPERATION MANUAL
<b>WEIGHT:</b>	HMK 1.4	2.7 Kg.
	HLR 1.5	0.8 Kg.
<b>PACKING:</b>		WOODEN CASE
		TOTAL WEIGHT: 2.7 KG.

All HOOKS are tested and delivered with European Community -MED- Certificates approved by Det Norske Veritas.  
(several other certificates are also available if required).  
 These certificates of approval based upon IMO/SOLAS 1974 as amended in IMO Res. MSC 47(66) and the LSA Code (MSC 48(66)).

CERTIFICATE NO.: MED-B-583  
 Notified Body No.: 0434

**H. HENRIKSEN MEK. VERKSTED A/S**  
 Tvedestruken 16 • 8101 Tvedestrand - Norway  
 Phone: +47 33 97 84 00 • Fax: +47 33 97 84 30  
 Email: post@hmv.com  
 www.henriksen.com

**DNV**

**DET NORSKE VERITAS**

**EC TYPE-EXAMINATION CERTIFICATE**

Application of Council Directive 96/98/EC of 20 December 1996 on Marine Equipment, as amended, issued as "Forskrift om Skipstøyt" by the Norwegian Maritime Directorate

CERTIFICATE NO. MED-B-583  
 This Certificate consists of 2 pages

This is to certify that the product  
**Release mechanism for lifeboats, rescue boats and life-rafts launched by a fall or falls**

with the type designation(s)  
**HRH 1.5**

Manufactured by  
**H. Henriksen Mek. Verksted A/S**  
**TØNSBERG, Norway**

is found to comply with the requirements in the following Regulations/Standards:  
 Annex A.1, item A.1.1.26 and Annex B, Module B in the directive  
 IMO/SOLAS 1974 as amended in IMO Res. MSC 47(66) and the LSA Code (MSC 48(66))

Further details of the product and conditions for certification are given overleaf

Place and date  
 Høvik, 2000-01-27  
 for DET NORSKE VERITAS  
 REDEN NORGE AS

Notified Body No.: 0434

Mikael Sjøstad  
 Manager, Certification of Products and Personnel

This Certificate is valid until  
 2005-01-27

Ola E. Rued  
 Surveyor

DNV local office:  
 DNV Porsgrunn

Notes: The certificate is valid in terms and conditions overleaf. Any significant change in design or construction of the product, or any change in the manufacturing process, shall require the manufacturer or his representative to notify the notified body in writing. The manufacturer shall be responsible for the product's compliance with the requirements in the relevant directive or standard. The manufacturer shall be responsible for the product's compliance with the requirements in the relevant directive or standard. The manufacturer shall be responsible for the product's compliance with the requirements in the relevant directive or standard.

DET NORSKE VERITAS AS    VESTERLØVEN 1, 1301 HØVIK, NORWAY    TEL: (+47) 67 57 00 00    FAX: (+47) 67 57 00 11  
 Page 1 of 2