

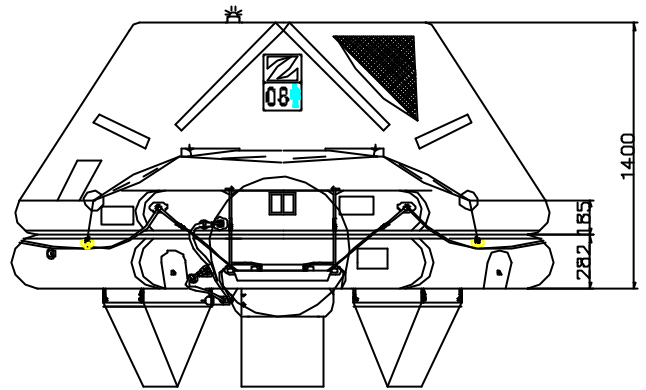
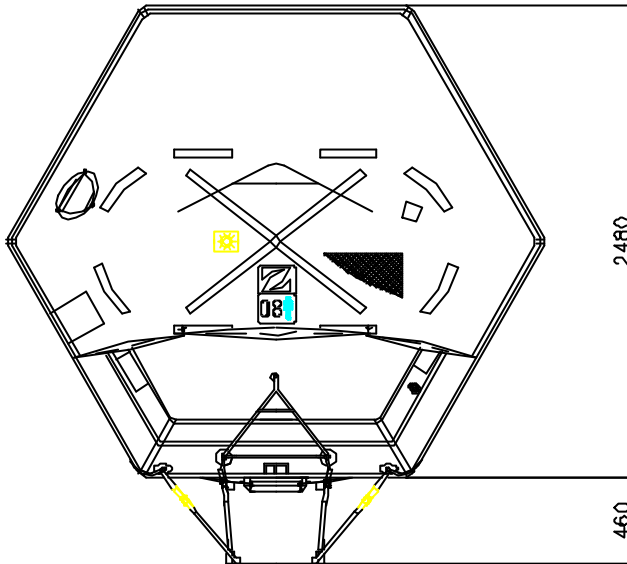


ZODIAC INTERNATIONAL
 2, Rue Maurice Mallet - 92130 ISSY Les MOULINEAUX
 France
 Fax : +33.1.41.23.23.98.
 Phone : +33.1.41.23.23.23
 E-mail : solassales@zodiac.com

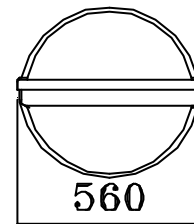
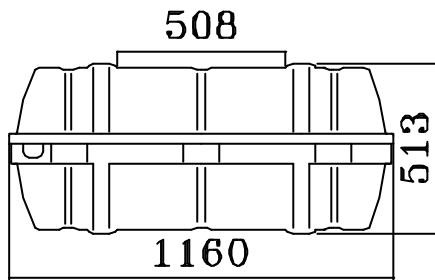


BV-0062

**08 MAN THROW OVER BOARD LIFERAFT
 SOLAS A & B PACK**

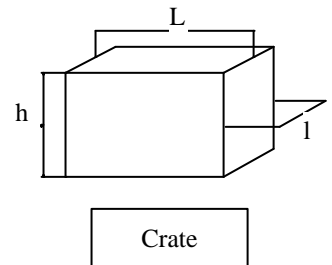


A&B PACK CONTAINER



N12

	A PACK					B PACK				
	Liferaft Net weight	77 kg					60 kg			
Max. height of stowage	25 meters	36 meters				25 meters	36 meters			
Painter line length	35 meters	50 meters				35 meters	50 meters			
Bowsing line length	none					none				
Inflation Cylinder	1 x 6.7 liters					1 x 6.7 liters				
Crate	L	l	h	V	W	L	l	H	V	W
L, l & h (mm), V (m ³), W (kg)	1250	620	700	0.55	99	1250	620	700	0.55	82

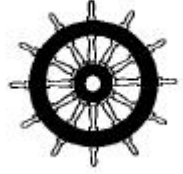


Towing force	2 knots	3 knots
Without Sea anchor	50 daN	65 daN

dimensions & weight +/- 5% (can be changed without prior notice)



ZODIAC INTERNATIONAL
2, Rue Maurice Mallet - 92130 ISSY Les MOULINEAUX
France
Fax : +33.1.41.23.23.98.
Phone : +33.1.41.23.23.23
E-mail : solassales@zodiac.com



BV-0062

With Sea anchor	60 daN	140 daN
-----------------	--------	---------

dimensions & weight +/- 5% (can be changed without prior notice)

8TO-Zodiac – 203 275

ISSUE : LCA / 1C

Date : 19/06/02