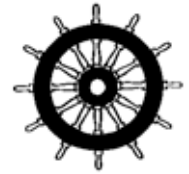




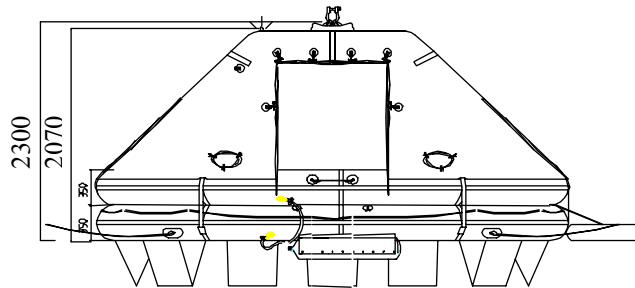
ZODIAC INTERNATIONAL
 2, Rue Maurice Mallet - 92130 ISSY Les MOULINEAUX
 France

Fax : +33.1.41.23.23.98.
 Phone : +33.1.41.23.23.23
 E-mail : solassales@zodiac.com

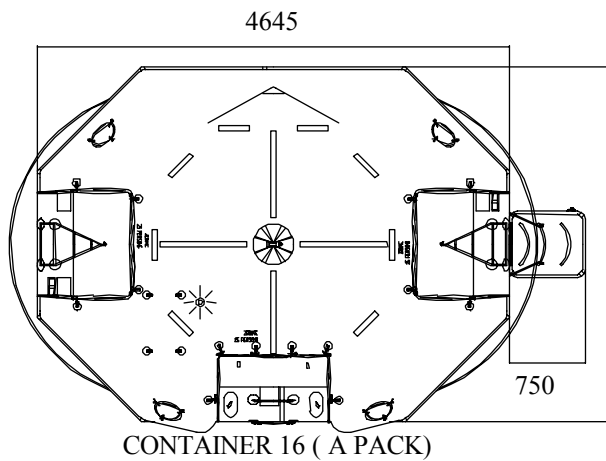


BV-0062

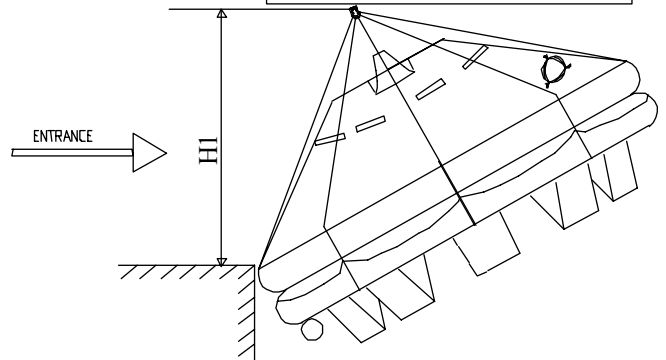
**25 MAN DAVIT LAUNCHED SELF RIGHTING LIFERAFT
 SOLAS A & B PACK**



Empty liferaft under davit

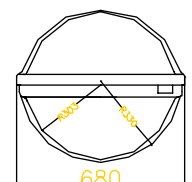
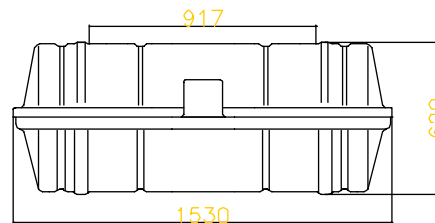
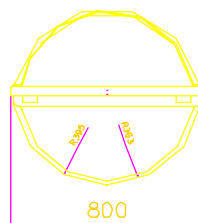
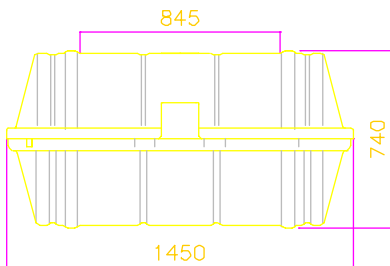


CONTAINER 16 (A PACK)

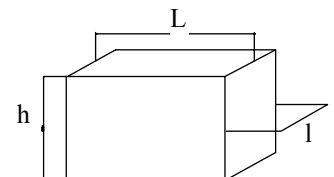


Solas 25 DL SR Pack A ; H1 = 2075 mm
 Solas 25 DL SR Pack B ; H1 = 2060 mm

CONTAINER 22 (B PACK)



	A PACK					B PACK				
Liferaft Net weight	220 kg					160 kg				
Weight loaded liferaft	2105 kg					2048 kg				
Max. height of stowage	25 meters					25 meters				
Inflation Cylinder	1 x 27 liters					1 x 27 liters				
Painter line length	35 meters					35 meters				
Holding shells line	6 meters					6 meters				
Bowsing line length	2 x 7 meters					2 x 7 meters				
Crate	L	l	h	V	W	L	l	H	V	W
L, l & h (mm), V (m ³), W (kg)	1615	840	900	1.22	260	1615	720	815	0.95	200



Crate

Towing force	2 knots	3 knots
Without Sea anchor	55 daN	170 daN
With Sea anchor	60 daN	190 daN

dimensions & weight +/- 5% (can be changed without prior notice)