

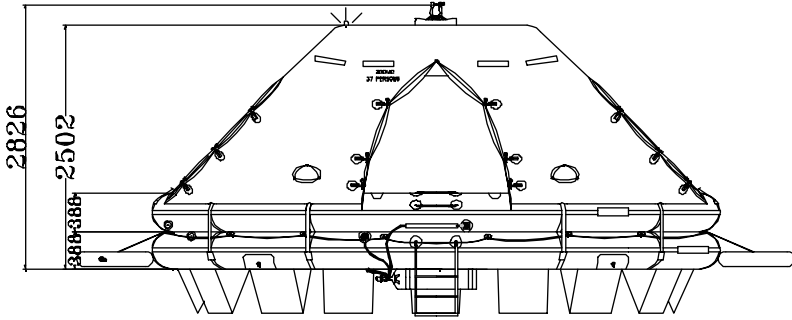


ZODIAC INTERNATIONAL
 2, Rue Maurice Mallet - 92130 ISSY Les MOULINEAUX
 France
 Fax : +33.1.41.23.23.98.
 Phone : +33.1.41.23.23.23
 E-mail : solassales@zodiac.com

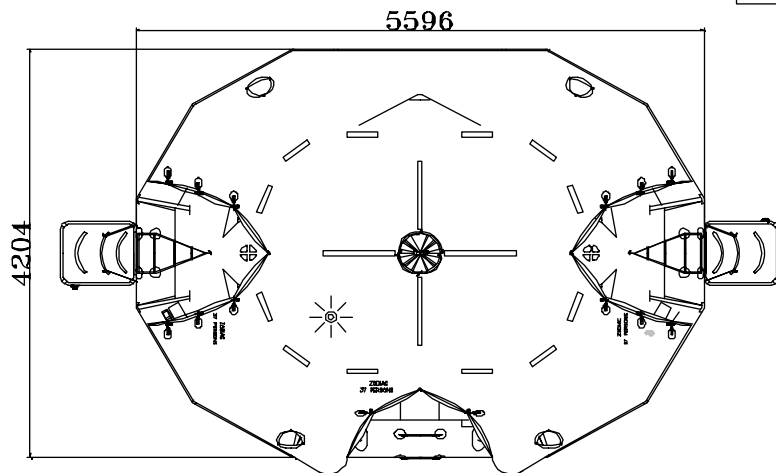
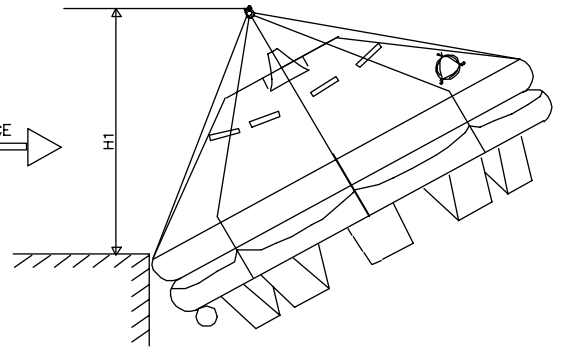


BV-0062

**37 MAN DAVIT LAUNCHED SELF-RIGHTING LIFERAFT
 SOLAS A & B PACK**



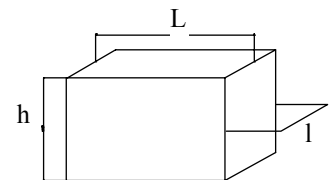
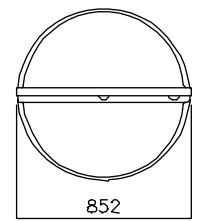
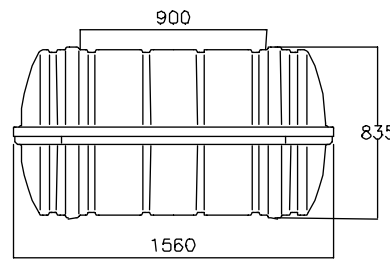
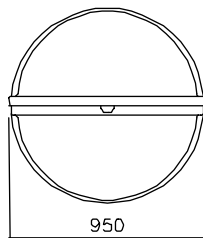
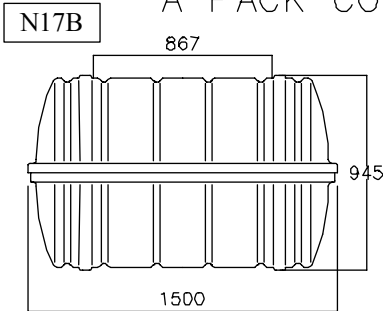
Empty inflated liferaft under davit



37 DL SR pack A --> H1 = 2780 mm
 37 DL SR pack B --> H1 = 2550 mm

A PACK CONTAINER

B PACK CONTAINER



Crate

	A PACK					B PACK				
Liferaft Net weight	325 kg					227 kg				
Max. height of stowage	25 meters					25 meters				
Inflation Cylinder	1 x 20 liters/1 x 24 liters					1 x 20 liters/1 x 24 liters				
Painter line length	35 meters					35 meters				
Holding shells line	6 meters					6 meters				
Bowsing line length	2 x 7 meters					2 x 7 meters				
Crate L, l & h (mm), V (m ³), W (kg)	L	l	h	V	W	L	l	H	V	W
	1600	1050	1130	1.90	391	1680	940	1010	1.60	282

Towing force	2 knots	3 knots
Without Sea anchor	170 daN	365 daN
With Sea anchor	210 daN	450 daN

dimensions & weight +/- 5% (can be changed without prior notice)