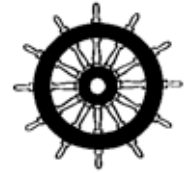


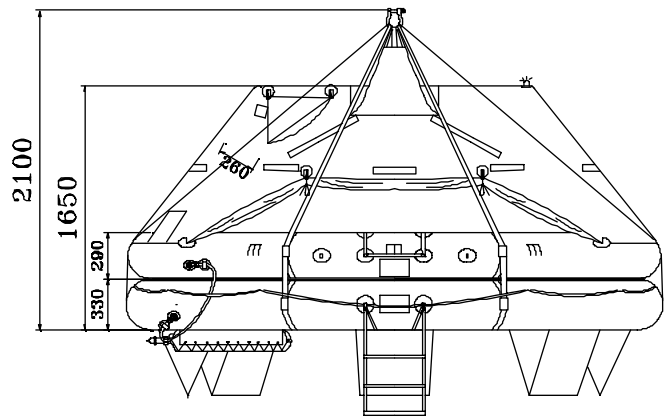
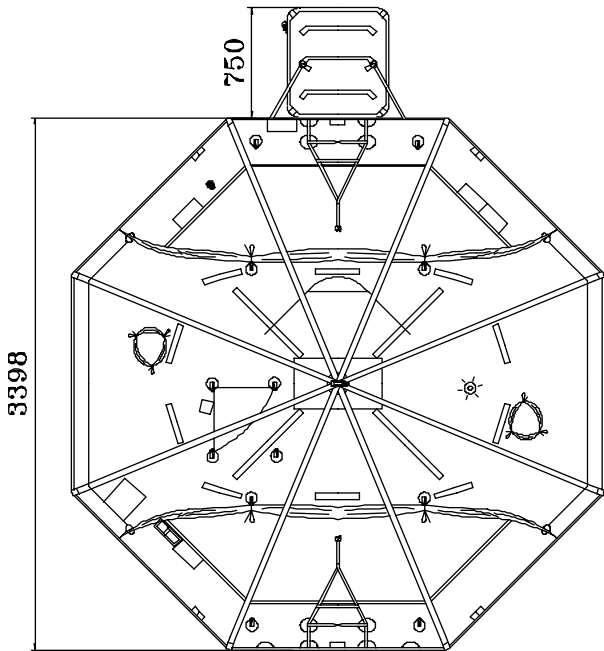


**ZODIAC INTERNATIONAL**  
 2, Rue Maurice Mallet - 92130 ISSY Les MOULINEAUX  
 France  
 Fax : +33.1.41.23.23.98.  
 Phone : +33.1.41.23.23.23  
 E-mail : solassales@zodiac.com



BV-0062

**16 MAN DAVIT LAUNCHED LIFERAFT  
 SOLAS A & B PACK**

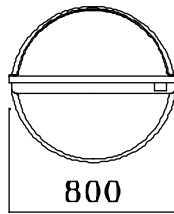
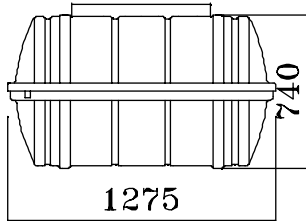


**A PACK CONTAINER**

**B PACK CONTAINER**

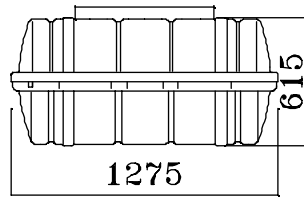
**N15B**

**662**

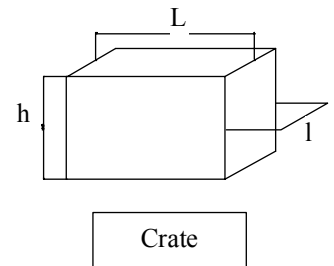


**N14B**

**662**



	A PACK					B PACK				
	L	l	h	V	W	L	l	H	V	W
Liferaft Net weight	143 kg					103 kg				
Weight loaded liferaft	1356 kg					1312 kg				
Max. height of stowage	25 meters	36 meters				25 meters	36 meters			
Painter line length	35 meters	50 meters				35 meters	50 meters			
Inflation Cylinder	1 x 15 liters					1 x 15 liters				
Holding shells line	6 meters					6 meters				
Bowsing line length	2 x 7 meters					2 x 7 meters				
Crate	L	l	h	V	W	L	l	H	V	W
L, l & h (mm), V (m <sup>3</sup> ), W (kg)	1360	840	900	1.03	178	1360	720	770	0.75	134



Towing force	2 knots	3 knots
Without Sea anchor	60 daN	90 daN
With Sea anchor	65 daN	105 daN

dimensions & weight +/- 5% (can be changed without prior notice)