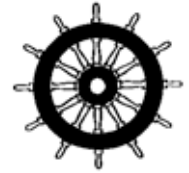


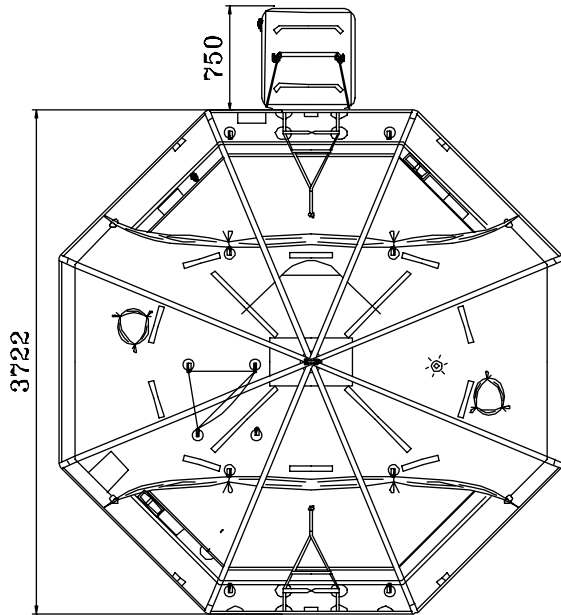


ZODIAC INTERNATIONAL
 2, Rue Maurice Mallet - 92130 ISSY Les MOULINEAUX
 France
 Fax : +33.1.41.23.23.98.
 Phone : +33.1.41.23.23.23
 E-mail : solassales@zodiac.com

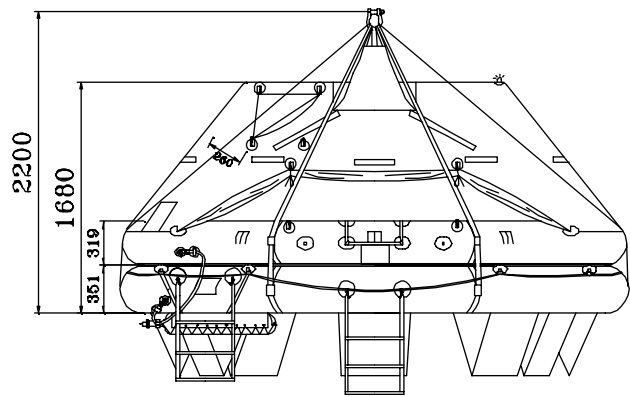


BV-0062

**20 MAN DAVIT LAUNCHED LIFERAFT
 SOLAS A & B PACK**



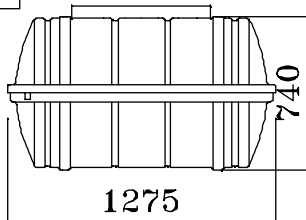
A PACK CONTAINER



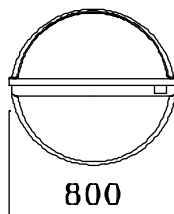
B PACK CONTAINER

N15B

662

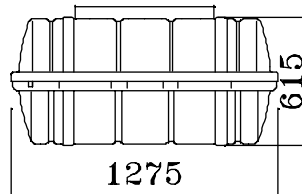


1275



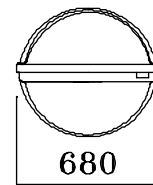
800

662



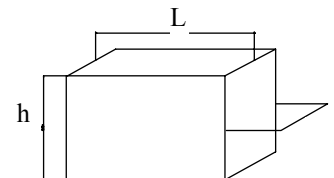
1275

N14B



680

	A PACK					B PACK				
	Liferaft Net weight	160 kg					115 kg			
Weight loaded liferaft	1669 kg					1614 kg				
Max. height of stowage	25 meters	36 meters				25 meters	36 meters			
Painter line length	35 meters	50 meters				35 meters	50 meters			
Inflation Cylinder	1 x 15 liters					1 x 15 liters				
Holding shells line	6 meters					6 meters				
Bowsing line length	2 x 7 meters					2 x 7 meters				
Crate	L	l	h	V	W	L	l	H	V	W
L, l & h (mm), V (m ³), W (kg)	1360	840	900	1.03	195	1360	720	770	0.75	146



Crate

Towing force	2 knots	3 knots
Without Sea anchor	85 daN	100 daN
With Sea anchor	90 daN	140 daN

dimensions & weight +/- 5% (can be changed without prior notice)