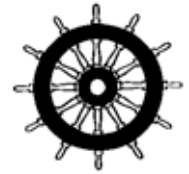


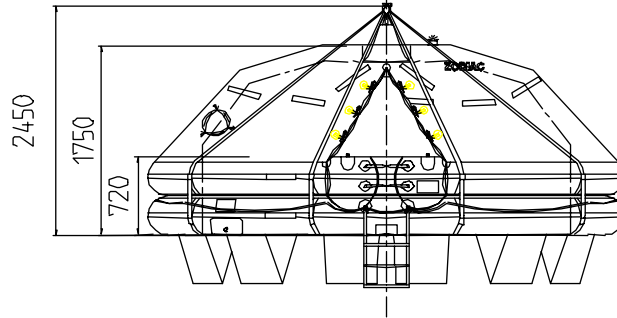


ZODIAC INTERNATIONAL
 2, Rue Maurice Mallet - 92130 ISSY Les MOULINEAUX
 France
 Fax : +33.1.41.23.23.98.
 Phone : +33.1.41.23.23.23
 E-mail : solassales@zodiac.com

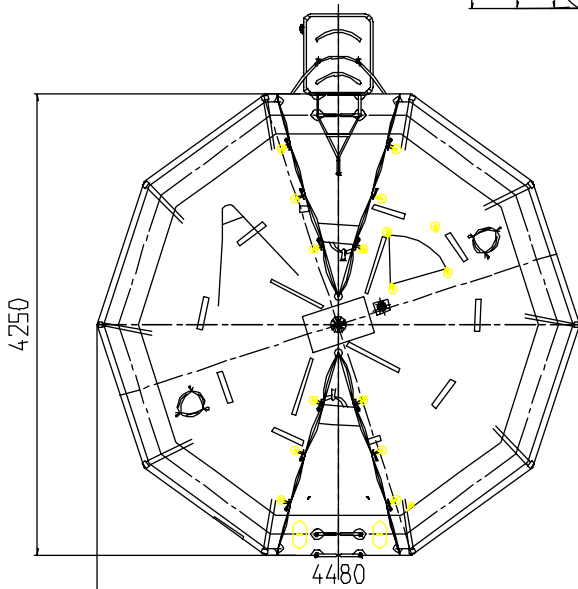


BV-0062

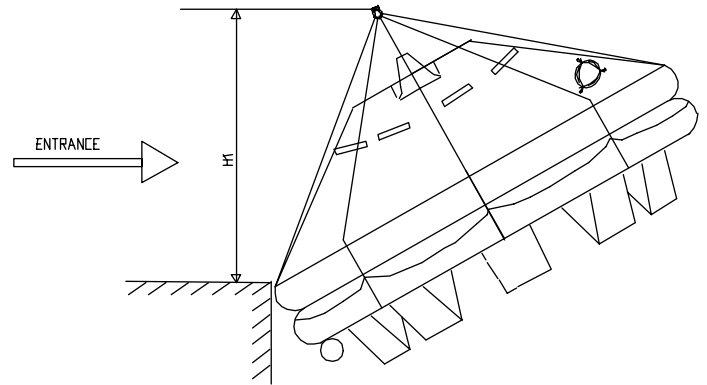
25 MAN DAVIT LAUNCHED LIFERAFT
SOLAS A & B PACK



Empty inflated liferaft under davit



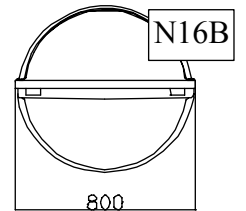
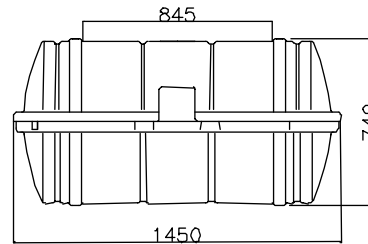
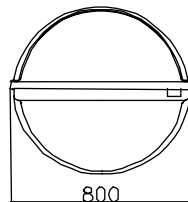
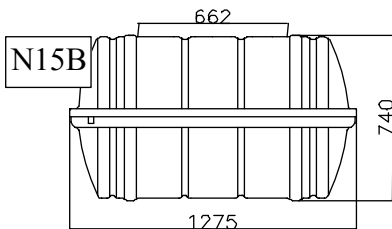
B PACK CONTAINER



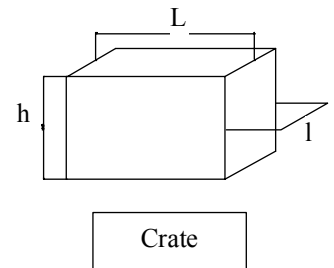
25 DL NG pack A --> H1 = 2390 mm

25 DL NG pack B --> H1 = 2170 mm

A PACK CONTAINER



	A PACK					B PACK				
Liferaft Net weight	198 kg					138 kg				
Weight loaded liferaft	2080 kg					2013 kg				
Max. height of stowage	25 meters					25 meters	36 meters			
Painter line length	35 meters					35 meters	50 meters			
Approved Cylinder	1 x 20 liters					1 x 20 liters				
Holding shells line	6 meters					6 meters				
Bowsing line length	2 x 7 meters					2 x 7 meters				
Crate	L	l	h	V	W	L	l	H	V	W
L, l & h (mm), V (m ³), W (kg)	1525	850	900	1.17	233	1360	840	900	1.03	169



Crate

Towing force	2 knots	3 knots
Without Sea anchor	55 daN	190 daN
With Sea anchor	60 daN	220 daN

dimensions & weight +/- 5% (can be changed without prior notice)