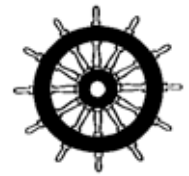


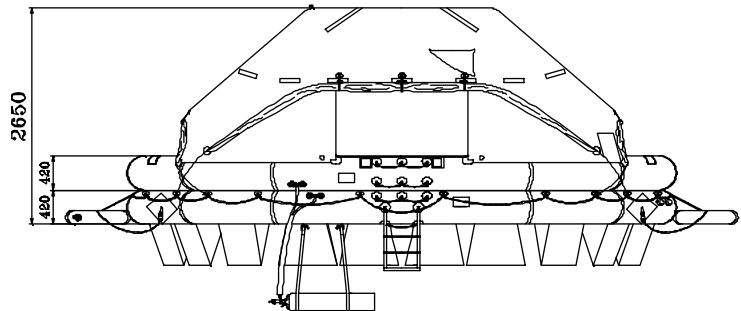
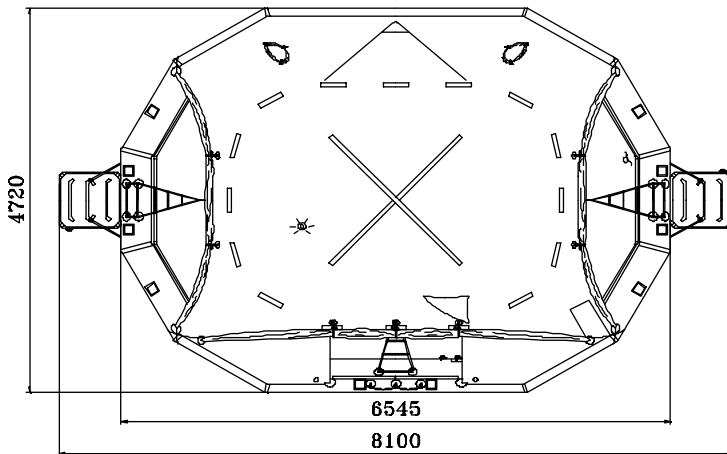


**ZODIAC INTERNATIONAL**  
 2, Rue Maurice Mallet - 92130 ISSY Les MOULINEAUX  
 France  
 Fax : +33.1.41.23.23.98.  
 Phone : +33.1.41.23.23.23  
 E-mail : solassales@zodiac.com

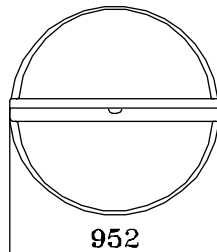
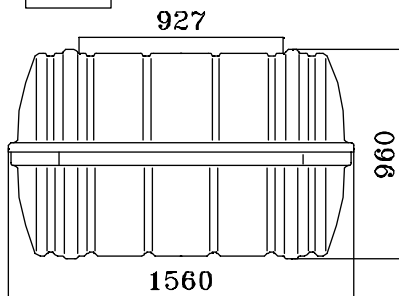


BV-0062

**50 MAN PORTSIDE THROW OVER BOARD LIFERAFT  
 SOLAS A & B PACK**

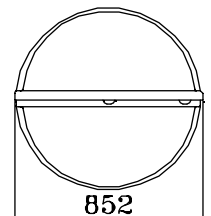
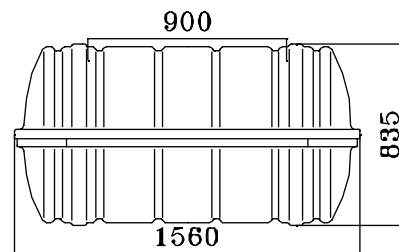


**N20 A PACK CONTAINER**

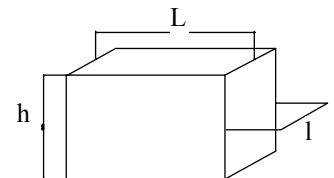


**B PACK CONTAINER**

**N18**



|  | A PACK        |      |      |      |     | B PACK        |     |      |      |     |
|--|---------------|------|------|------|-----|---------------|-----|------|------|-----|
| Liferaft Net weight                        | 375 kg        |      |      |      |     | 255 kg        |     |      |      |     |
| Max. height of stowage                     | 20 meters     |      |      |      |     | 20 meters     |     |      |      |     |
| Inflation Cylinder                         | 2 x 27 liters |      |      |      |     | 2 x 27 liters |     |      |      |     |
| Painter line length                        | 35 meters     |      |      |      |     | 35 meters     |     |      |      |     |
| Crate                                      | L             | l    | h    | V    | W   | L             | l   | H    | V    | W   |
| L, l & h (mm), V (m <sup>3</sup> ), W (kg) | 1680          | 1050 | 1150 | 2.03 | 444 | 1680          | 940 | 1010 | 1.60 | 310 |



Crate

|                    |         |         |
|--------------------|---------|---------|
| Towing force       | 2 knots | 3 knots |
| Without Sea anchor | 155 daN | 235 daN |
| With Sea anchor    | 170 daN | 275 daN |

dimensions & weight +/- 5% (can be changed without prior notice)